

PRODUCT SHORT DESCRIPTION:

Combo cork/ magnetic dry erase board

FEATURES AND BENEFITS:

- Essential Sapphire Series:
 - Good value for money, ideal for all audiovisual and educational use
- 2 in 1 versatile solution - notice/dry erase
- Top quality natural cork for use with push pins
- Easy wipe-off magnetic surface
- Classic anodized aluminium frame
- Concealed wall fixings through plastic corners
- Wall fastening kit included

PRODUCT IMAGE:



MARKETING COPY:

Simple and straightforward, the products in this line are the most versatile notice boards in the market. Sober and well-designed, they come in a wide range of solutions and combinations. Maya Series Notice Boards are extremely adaptable, durable and efficient. Our combination boards can be used as notice or presentation boards with equal efficiency.

APPLICATION AND SALES PROPOSITION:

- Versatile solution
- Good value for money, ideal for all audiovisual and educational use
- Natural and recyclable cork surface

TARGET MARKET:

CHANNEL: Office products wholesalers, office products stores, other retailers and building contractors

END USERS: conference centers, hotels, public buildings, public store buildings and private and public buildings in general

ADDITIONAL NOTES:

Other information supports: our official websites, Youtube®, Facebook®, catalogue and online catalogue, demo videos and more.

PROMOTIONAL TIPS:

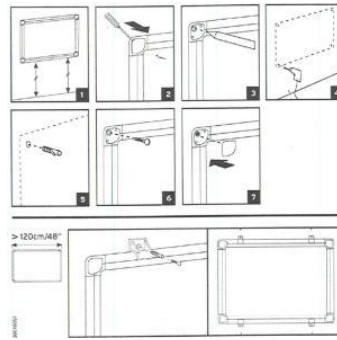
No specific timing, thus we recommend the occasional promotion like offering of accessories.

RANGING TABLE:

Frame/Colour:	Surface/Colour:	Product Size:	Packed mm	N.W. kg	G.W. kg	Reference:	RRP:
<i>ESSENTIAL SAPPHIRE SERIES</i>							
Anodised Grey Aluminium	Half Cork/ Half Magnetic	600x450	720x470x22	1,40	1,95	XA0203170	-
Anodised Grey Aluminium	Half Cork/ Half Magnetic	900x600	1030x620x25	2,58	3,57	XA0303170	-
Anodised Grey Aluminium	Half Cork/ Half Magnetic	1200x900	1330x920x25	4,85	6,71	XA0503170	-
Anodised Grey Aluminium	Half Cork/ Half Magnetic	1500x1000	1650x1050x25	6,58	9,07	XA1503170	-
Anodised Grey Aluminium	Half Cork/ Half Magnetic	1500x1200	1650x1260x25	7,81	10,78	XA1203170	-
Anodised Grey Aluminium	Half Cork/ Half Magnetic	1800x1200	2000x1260x25	9,27	12,75	XA2703170	-
Anodised Grey Aluminium	Half Cork/ Half Magnetic	2400x1200	2590x1260x25	12,18	16,69	XA2103170	-

TECHNICAL DETAILS**COMPOSITION:**

- Aluminium frame
- Cork and magnetic surface
- Wooden Base core
- 2 year warranty

ASSEMBLY OVERVIEW:**CERTIFICATION AND LEGISLATION:**

n/a

ILLUSTRATION:

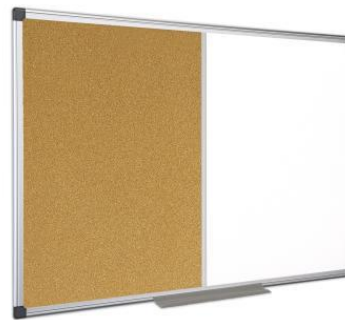
n/a

SUGGESTED ADVERT:

Maya Combo Board (Cork&White)

Combo cork/ magnetic dry erase board

- Essential Sapphire Series:
 - Good value for money, ideal for all audiovisual and educational use
- 2 in 1 versatile solution - notice/dry erase
- Top quality natural cork for use with push pins
- Easy wipe-off magnetic surface
- Classic anodized aluminium frame
- Concealed wall fixings through plastic corners
- Wall fastening kit included

**WITHIN FAMILY:**

- Maya Cork Board
- Maya Felt Board
- Maya Combination Board
- Maya Combonet Board
- Provision Techcork Board
- Unframed Felt Board
- Provision Fabric Board
- Provision Felt Board
- Provision Softouch
- Mastervision Softouch Board
- Mastervision Techcork Board

QR CODE:

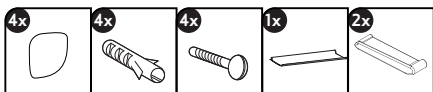
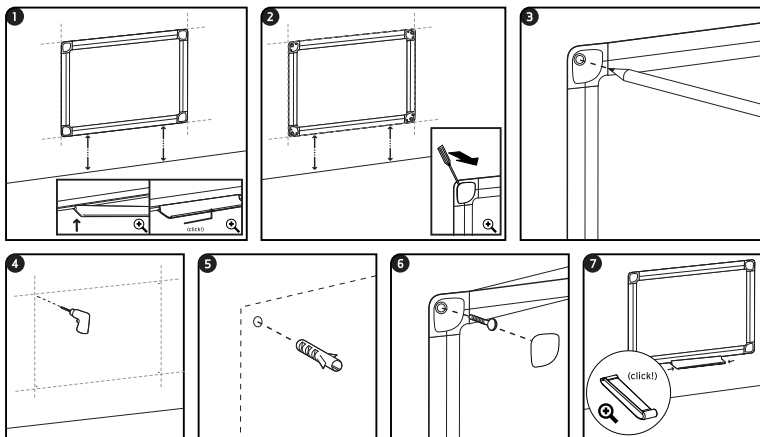
Author: Ana Oliveira

Approval:

Revision: 00
Date: 20-04-2015

MAYA WHITEBOARD

INSTRUCTIONS • INSTRUCTIES • ISTRUZIONI • ANLEITUNG • INSTRUCCIONES • INSTRUÇÕES



>120cm/48"

